



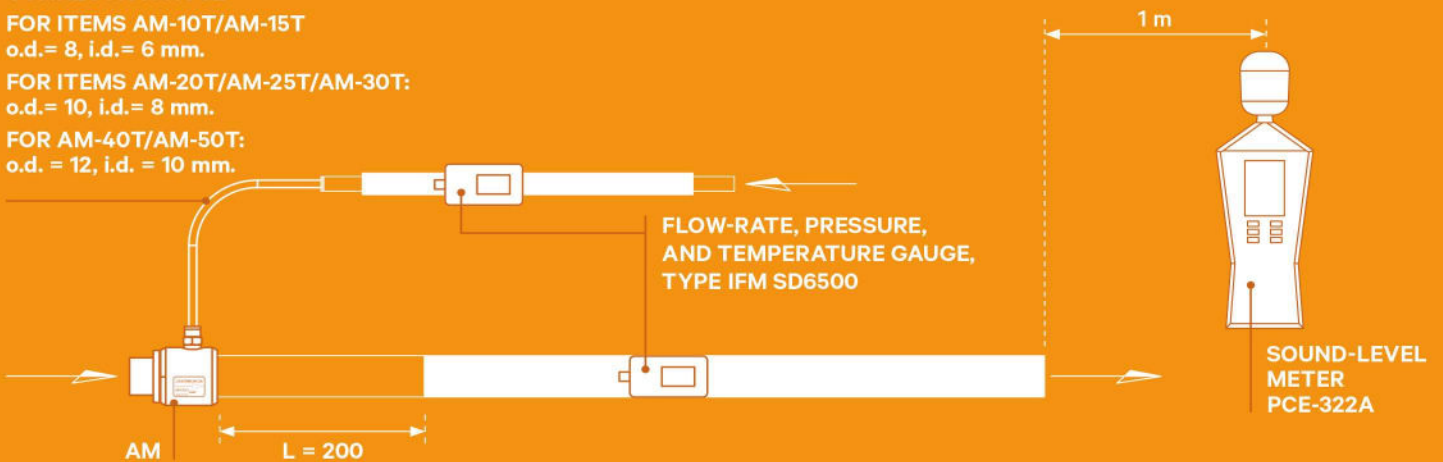
Description of the set-up and instrumentation used for our tests on air amplifiers.

CONNECTION HOSE

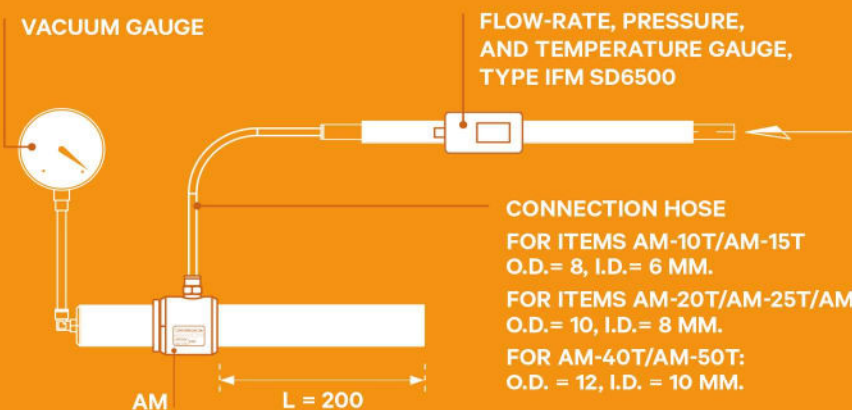
FOR ITEMS AM-10T/AM-15T
o.d. = 8, i.d. = 6 mm.

FOR ITEMS AM-20T/AM-25T/AM-30T:
o.d. = 10, i.d. = 8 mm.

FOR AM-40T/AM-50T:
o.d. = 12, i.d. = 10 mm.



VACUUM GAUGE





The **AM-T Series** air amplifiers offer excellent performance for both suction and blow-off. The quality of design and construction optimises the Coanda effect, so they use a small amount of compressed air to generate a powerful, high-speed flow. Their capability to perform both functions of suction and blow-off make them useful for many applications, including ventilating electric cabinets, conveying fumes and lightweight particles produced by machining, conveying and handling of light parts, drying, and cooling. When combined with the VR Series coolers, they create an effective patented system where, by conveying the hot air flow exhausted by the cooler to actuate an AM Series amplifier, the cooling power is optimised, so that to make it possible to draw hot air out of enclosures and ventilate closed areas to be cooled. The flow-rate can be adjusted by simply turning the nut.

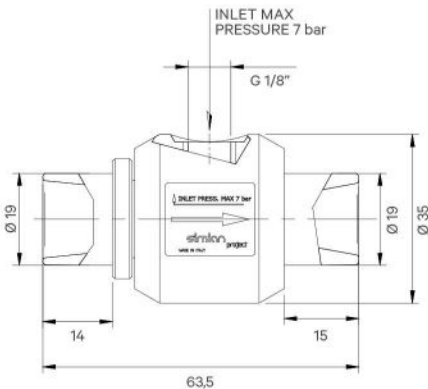
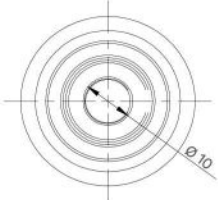
- Design geometries optimised to maximise the Coanda effect
- Adjustable flow-rate
- Wide section for suction and blow-off, suitable for a variety of applications
- Instant operation
- No moving part, so not subject to wear and tear
- No electricity or chemical substances required
- More efficient than venturis and ejectors
- It does not cause neither sparks nor interferences
- Reliable and maintenance-free

SERIES AM-10T

AIR AMPLIFIERS



MANUAL ADJUSTMENT



GENERAL FEATURES - AM-10T

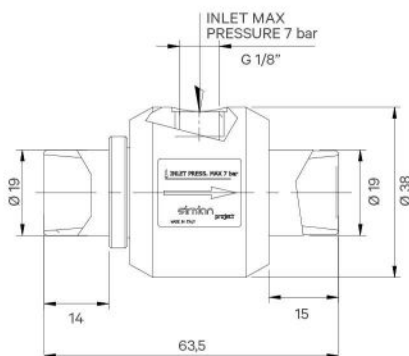
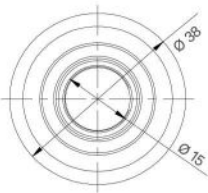
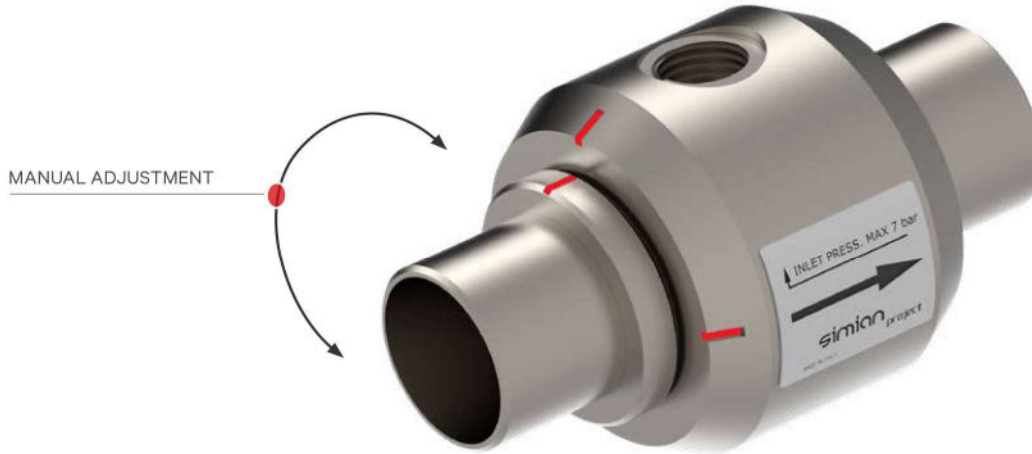
Materials	Aluminium
Air inlet port	G-1/8" F
Inlet diameter	Ø 19
Outlet diameter	Ø 19
Air supply pressure	max 7 bar
Recommended hose	Ø 6x1 - Ø 8x1
Weight	95 g

PERFORMANCES AND CONSUMPTION TABLE

OPENING 90°					
SUPPLY PRESSURE bar	CONSUMPTION NI/min	FLOW-RATE NI/min	AMPLIFICATION RATIO	VACUUM mbar	NOISE LEVEL dBA
2	76	349,9	4,6	65	63
3	101	449,8	4,4	100	65
4	126	506,4	4,0	130	66
5	153	558,1	3,6	155	68
6	178	621,4	3,5	185	70
OPENING 180°					
2	158	533,12	3,4	100	76
3	216	643	3,0	155	80
4	283	741,4	2,6	190	85
5	341	816,34	2,4	220	90
6	391	849,6	2,2	240	92

SERIES AM-15T

AIR AMPLIFIERS



GENERAL FEATURES - AM-15T

Materials	Aluminium
Air inlet port	G-1/8" F
Inlet diameter	Ø 19
Outlet diameter	Ø 19
Air supply pressure	max 7 bar
Recommended hose	Ø 8x1 - Ø 10x1
Weight	100 g

PERFORMANCES AND CONSUMPTION TABLE

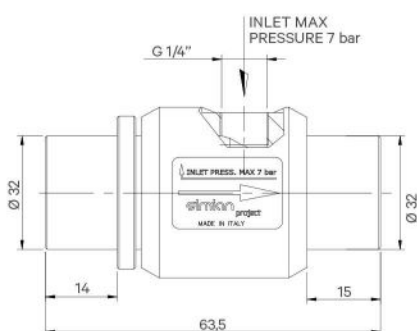
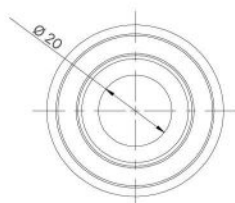
OPENING 90°					
SUPPLY PRESSURE bar	CONSUMPTION Nl/min	FLOW-RATE Nl/min	AMPLIFICATION RATIO	VACUUM mbar	NOISE LEVEL dBA
2	100	899,6	9,0	30	70
3	133	1132,9	8,5	45	74
4	168	1332,8	7,9	60	76
5	204	1516	7,4	75	78
6	244	1649,3	6,8	90	79
OPENING 180°					
2	225	1366	6,1	60	80
3	299	1666	5,6	95	84
4	373	1949,2	5,2	130	88
5	443	2165,8	4,9	160	89
6	509	2265,8	4,4	180	90

SERIES AM-20T

AIR AMPLIFIERS



MANUAL ADJUSTMENT



GENERAL FEATURES - AM-20T

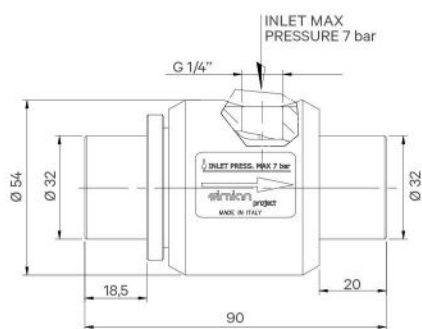
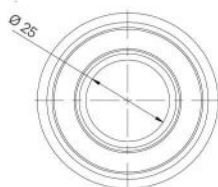
Materials	Aluminium
Air inlet port	G-1/4" F
Inlet diameter	Ø 32
Outlet diameter	Ø 32
Air supply pressure	max 7 bar
Recommended hose	Ø 8x1 - Ø 10x1
Weight	240 g

PERFORMANCES AND CONSUMPTION TABLE

OPENING 90°					
SUPPLY PRESSURE bar	CONSUMPTION NI/min	FLOW-RATE NI/min	AMPLIFICATION RATIO	VACUUM mbar	NOISE LEVEL dBA
2	186	1499,4	8,0	10	68
3	266	1832,6	6,9	15	72
4	333	2199,1	6,6	22	74
5	391	2532,3	6,5	29	75
6	458	2798,9	6,1	35	77
OPENING 180°					
2	391	2132,5	5,4	20	75
3	519	2699	5,2	32	78
4	646	3115,4	4,8	45	80
5	771	3582	4,6	58	82
6	899	3965	4,4	70	85

SERIES AM-25T

AIR AMPLIFIERS



GENERAL FEATURES - AM-25T

Materials	Aluminium
Air inlet port	G-1/4
Inlet diameter	Ø 32
Outlet diameter	Ø 32
Air supply pressure	max 7 bar
Recommended hose	Ø 10x1 - Ø 12x1
Weight	280 g

PERFORMANCES AND CONSUMPTION TABLE

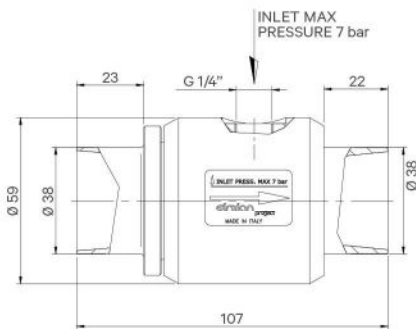
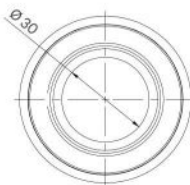
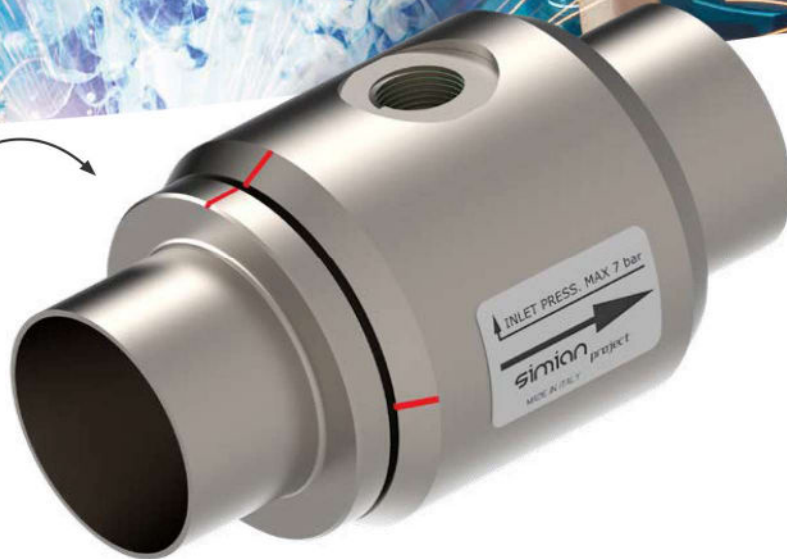
OPENING 90°					
SUPPLY PRESSURE bar	CONSUMPTION NI/min	FLOW-RATE NI/min	AMPLIFICATION RATIO	VACUUM mbar	NOISE LEVEL dBA
2	283	1549,4	5,5	15	74
3	366	1992,2	5,4	24	75
4	466	2364,7	5,1	32	77
5	583	2665,6	4,6	41	78
6	699	2998,8	4,3	50	80
OPENING 180°					
2	583	2582,3	4,4	35	78
3	850	3165,4	3,7	55	81
4	1100	3615,2	3,3	75	84
5	1350	4031,7	3,0	95	86
6	1649	4414,9	2,7	110	88

SERIES AM-30T

AIR AMPLIFIERS



MANUAL ADJUSTMENT



GENERAL FEATURES - AM-30T

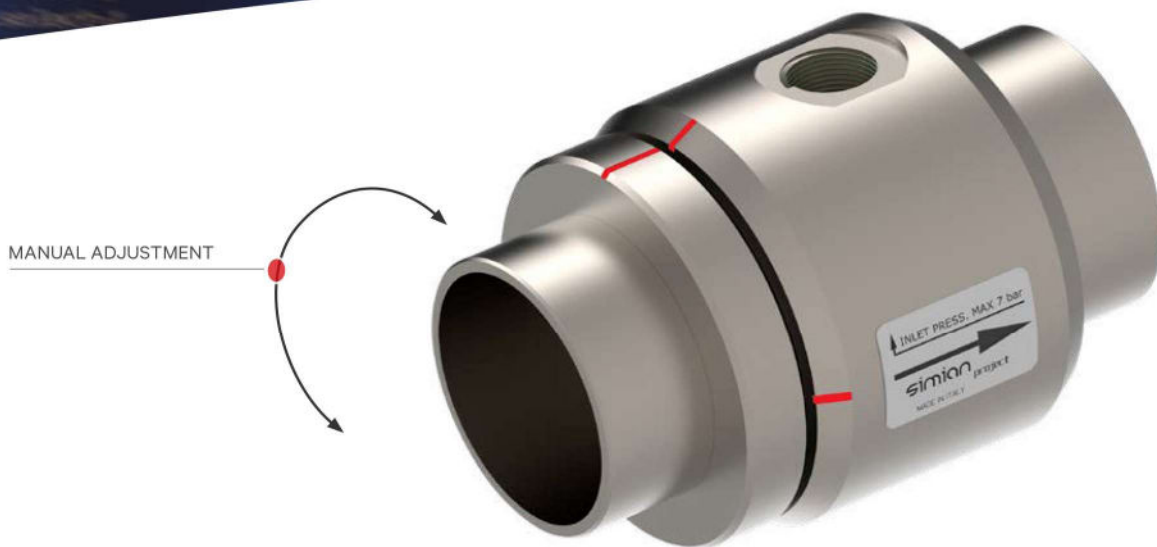
Materials	Aluminium
Air inlet port	G-1/4
Inlet diameter	Ø 38
Outlet diameter	Ø 38
Air supply pressure	max 7 bar
Recommended hose	Ø 10x1 - Ø 12x1
Weight	380 g

PERFORMANCES AND CONSUMPTION TABLE

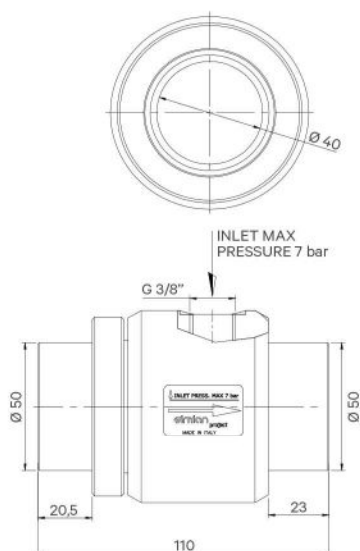
OPENING 90°					
SUPPLY PRESSURE bar	CONSUMPTION NI/min	FLOW-RATE NI/min	AMPLIFICATION RATIO	VACUUM mbar	NOISE LEVEL dBA
2	333	3415	10,2	15	80
3	483	4081,7	8,5	24	82
4	610	4581,5	7,5	32	84
5	730	4998	6,8	41	86
6	833	5497,8	6,6	50	88
OPENING 180°					
2	766	4165	5,4	40	84
3	1116	4998	4,5	52	88
4	1416	5664,4	4,0	65	91
5	1790	6414	3,6	80	93
6	2200	6830,6	3,1	100	94

SERIES AM-40T

AIR AMPLIFIERS



MANUAL ADJUSTMENT



GENERAL FEATURES - AM-40T

Materials	Aluminium
Air inlet port	G-3/8
Inlet diameter	Ø 50
Outlet diameter	Ø 50
Air supply pressure	max 7 bar
Recommended hose	Ø 12x1 - Ø 14x1
Weight	600 g

PERFORMANCES AND CONSUMPTION TABLE

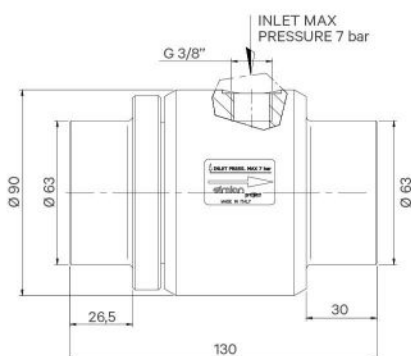
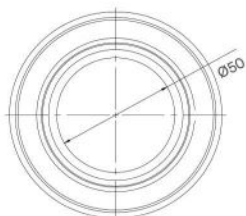
OPENING 90°					
SUPPLY PRESSURE bar	CONSUMPTION NI/min	FLOW-RATE NI/min	AMPLIFICATION RATIO	VACUUM mbar	NOISE LEVEL dBA
2	483	3332	6,9	12	80
3	660	4248	6,4	20	83
4	850	4998	5,9	25	85
5	1025	5831	5,7	30	87
6	1210	6297	5,2	35	89
OPENING 180°					
2	1082	4998	4,6	28	87
3	1566	5831	3,7	38	91
4	2082	6580	3,2	50	93
5	2600	7663	2,9	63	95
6	3048	8663	2,8	75	97

SERIES AM-50T

AIR AMPLIFIERS



MANUAL ADJUSTMENT



GENERAL FEATURES - AM-50T

Materials	Aluminium
Air inlet port	G-3/8
Inlet diameter	Ø 63
Outlet diameter	Ø 63
Air supply pressure	max 7 bar
Recommended hose	Ø 12x1 - Ø 14x1
Weight	950 g

PERFORMANCES AND CONSUMPTION TABLE

OPENING 90°					
SUPPLY PRESSURE bar	CONSUMPTION NI/min	FLOW-RATE NI/min	AMPLIFICATION RATIO	VACUUM mbar	NOISE LEVEL dBA
2	900	2700	3,0	0	-
3	1100	3300	3,0	0	-
4	1300	3800	2,9	0	-
5	1470	4250	2,9	0	-
6	1650	4700	2,8	25	-
APERTURA 180°					
2	1450	3700	2,6	0	-
3	1700	4500	2,6	19	-
4	1950	5300	2,7	36	-
5	2200	5900	2,7	55	-
6	2450	6500	2,7	75	-

ACCESSORIES

AIR AMPLIFIERS



STRAIGHT PUSH-IN FITTING FOR AIR SUPPLY

Part Number	Hose Ø	Thread	Air amplifier
S6510	6	1/8"	AM10-T
S6510	8	1/8"	AM10-T / AM15-T
S6510	10	1/8"	AM15-T
S6510	8	1/4"	AM20-T
S6510	10	1/4"	AM20-T / AM25-T / AM30-T
S6510	12	1/4"	AM25-T / AM30-T
S6510	12	3/8"	AM40-T / AM50-T
S6510	14	3/8"	AM40-T / AM50-T



ELBOW PUSH-IN FITTING FOR AIR SUPPLY

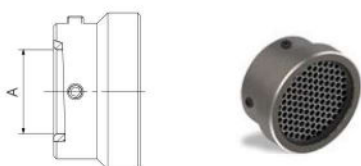
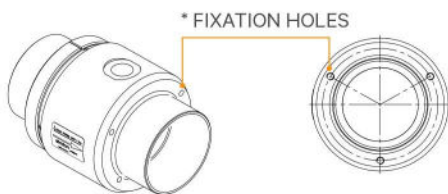
Part Number	Hose Ø	Thread	Air amplifier
S6520	6	1/8"	AM10-T
S6520	8	1/8"	AM10-T / AM15-T
S6520	10	1/8"	AM15-T
S6520	8	1/4"	AM20-T
S6520	10	1/4"	AM20-T / AM25-T / AM30-T
S6520	12	1/4"	AM25-T / AM30-T
S6520	12	3/8"	AM40-T / AM50-T
S6520	14	3/8"	AM40-T / AM50-T



FIXATION BRACKET

Part Number	Air amplifier
ABT-05T	AM-10T / AM-15T
ABT-05	AM-20T / AM-25T

On request, with fixation holes*.



FILTERS FOR FIXATION TO CABINETS

Part Number	Air amplifier	A Ø
AC32	AM-10T / AM-15T	19
AC31	AM-20T / AM-25T	32
AC26	AM-30T	38
AC43	AM-40T	50
AC44	AM-50T	63